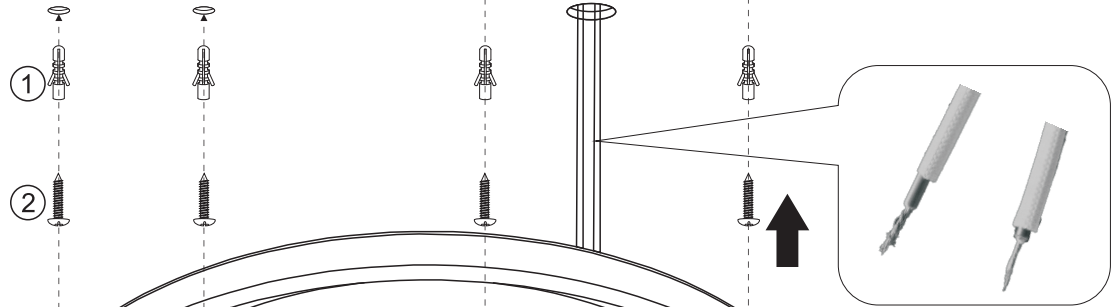
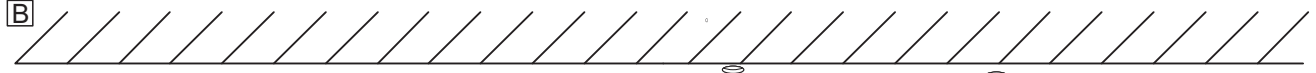
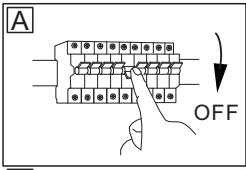


# GLOBO

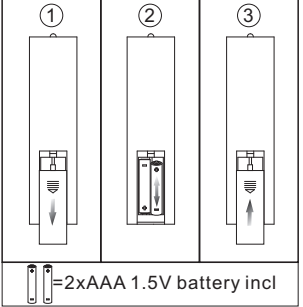
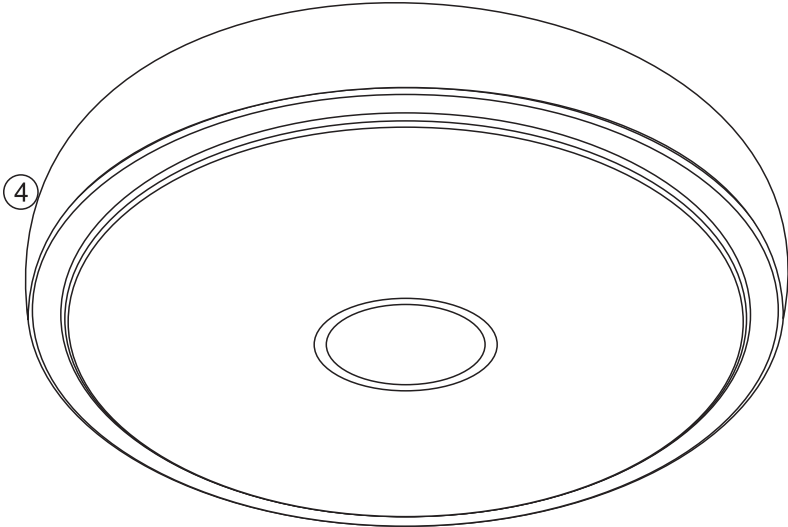
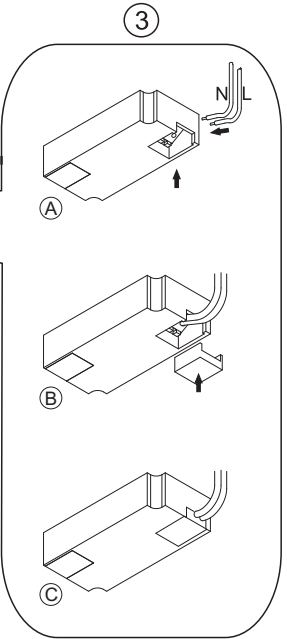
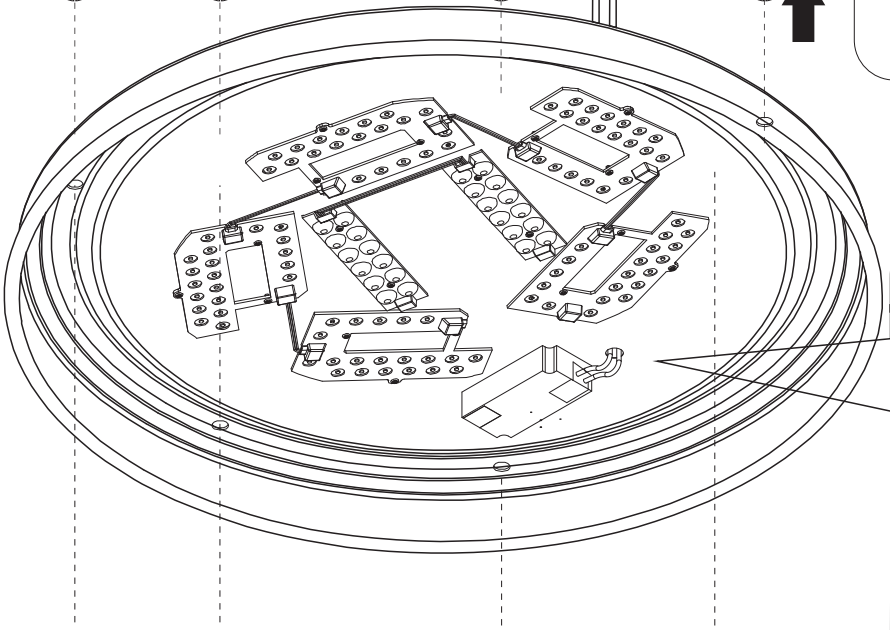
LIGHTING

www.globo-lighting.com

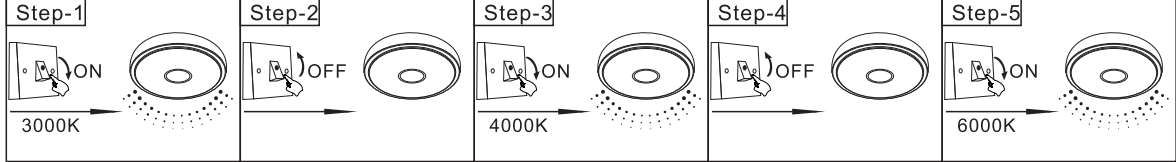
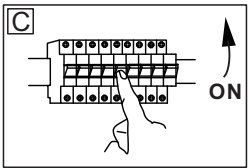
48408-40



- 3 LIGHT STEPS  
4000K 3000K 6000K
- colour fixing
- many steps
- dimmmable
- incl.
- night light
- RGB colour fixing
- many steps
- RGB colour change
- memory function
- many light steps



GLOBO Handels GmbH  
Gewerbstrasse 3  
A-9184 Sankt Peter



**ON/OFF**

A control panel diagram with a hand pointing to the power button. The panel includes a power button, a moon icon, a central sun icon with K- and K+ buttons, and four surrounding sun icons (+, -, and two others). Below are buttons for RGB, R/B/G, (RGB), (RGB SPEED), and a timer.

**Night light**

A control panel diagram with a hand pointing to the moon icon. The panel includes a power button, a moon icon, a central sun icon with K- and K+ buttons, and four surrounding sun icons (+, -, and two others). Below are buttons for RGB, R/B/G, (RGB), (RGB SPEED), and a timer.

**Three sections of brightness**

A control panel diagram with a hand pointing to the central sun icon. The panel includes a power button, a moon icon, a central sun icon with K- and K+ buttons, and four surrounding sun icons (+, -, and two others). Below are buttons for RGB, R/B/G, (RGB), (RGB SPEED), and a timer.

**LM ↑**

A control panel diagram with a hand pointing to the top sun icon. The panel includes a power button, a moon icon, a central sun icon with K- and K+ buttons, and four surrounding sun icons (+, -, and two others). Below are buttons for RGB, R/B/G, (RGB), (RGB SPEED), and a timer.

**LM ↓**

A control panel diagram with a hand pointing to the bottom sun icon. The panel includes a power button, a moon icon, a central sun icon with K- and K+ buttons, and four surrounding sun icons (+, -, and two others). Below are buttons for RGB, R/B/G, (RGB), (RGB SPEED), and a timer.

**RGB**

A control panel diagram with a hand pointing to the (RGB) button. The panel includes a power button, a moon icon, a central sun icon with K- and K+ buttons, and four surrounding sun icons (+, -, and two others). Below are buttons for RGB, R/B/G, (RGB), (RGB SPEED), and a timer.

**6000K  
4000K  
3000K ↓**

A control panel diagram with a hand pointing to the K- button. The panel includes a power button, a moon icon, a central sun icon with K- and K+ buttons, and four surrounding sun icons (+, -, and two others). Below are buttons for RGB, R/B/G, (RGB), (RGB SPEED), and a timer.

**6000K  
4000K  
3000K ↑**

A control panel diagram with a hand pointing to the K+ button. The panel includes a power button, a moon icon, a central sun icon with K- and K+ buttons, and four surrounding sun icons (+, -, and two others). Below are buttons for RGB, R/B/G, (RGB), (RGB SPEED), and a timer.

**RGB  
Fast/Slow**

A control panel diagram with a hand pointing to the (RGB SPEED) button. The panel includes a power button, a moon icon, a central sun icon with K- and K+ buttons, and four surrounding sun icons (+, -, and two others). Below are buttons for RGB, R/B/G, (RGB), (RGB SPEED), and a timer.

**RGB  
ON/OFF**

A control panel diagram with a hand pointing to the RGB button. The panel includes a power button, a moon icon, a central sun icon with K- and K+ buttons, and four surrounding sun icons (+, -, and two others). Below are buttons for RGB, R/B/G, (RGB), (RGB SPEED), and a timer.

**R  
G  
B**

A control panel diagram with a hand pointing to the R/B/G button. The panel includes a power button, a moon icon, a central sun icon with K- and K+ buttons, and four surrounding sun icons (+, -, and two others). Below are buttons for RGB, R/B/G, (RGB), (RGB SPEED), and a timer.

**1min OFF**

A control panel diagram with a hand pointing to the timer button. The panel includes a power button, a moon icon, a central sun icon with K- and K+ buttons, and four surrounding sun icons (+, -, and two others). Below are buttons for RGB, R/B/G, (RGB), (RGB SPEED), and a timer.